

- ▶ **MICROmote®-sensor for separate amplifier**
- ▶ **Efficient background suppression with fixed focus**
- ▶ **Reliable detection of labels on bottles. Works with paper and plastic labels. Transparent or printed.**
- ▶ **Developed for bottle filling machines**
- ▶ **Applicable for glass and PET bottles likewise**
- ▶ **Ease of integration in existing machines due to compact design**

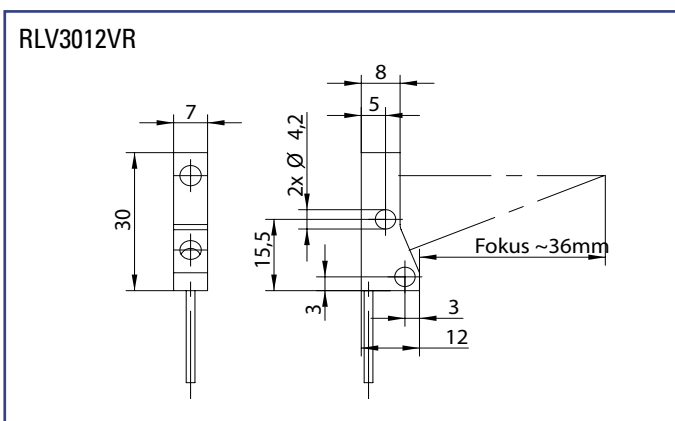


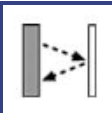
REFLECTIVE BEAM SENSOR with background suppression for separate amplifier

▶ **TECHNICAL DATA**

MODEL	RLV3012VR
Light type	visible red 660nm
Operating temperature	-10°C to +55°C
Protection class	IP65
Nominal sensing distance	36mm
Range of operation	28mm...44mm
Connection type	PUR-cable with connector
Dimensions	30mm x 12mm x 7mm
Housing material	aluminium anodized

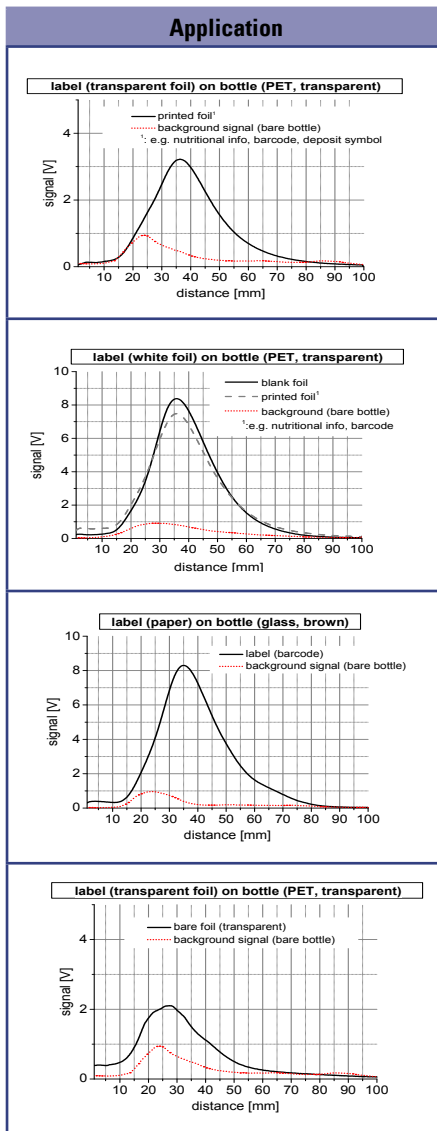
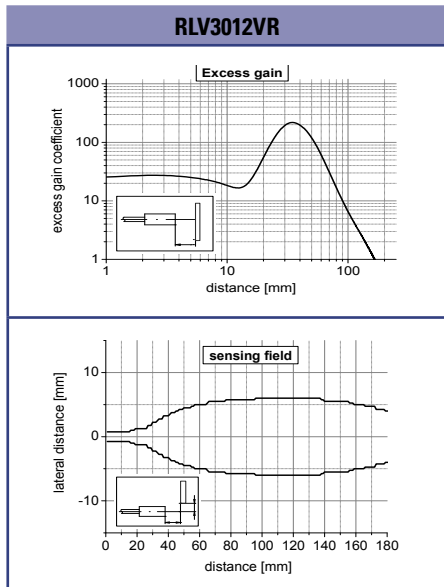
▶ **DIMENSIONS** Measurements in mm. Subject to technical change.





RLV3012VR

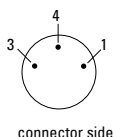
► **GRAPHS** (All Graphs showing typical data with STM V10-C amplifier.)



► **PIN CONNECTION**

option - 0: M8, 3pin (standard)

- 3 + receiver (green)
- 4 GND/shielding (white, black)
- 1 + emitter (red)



	<p>jacket material P: PUR-cable black ø 1,8mm special cable available on request</p>	<p>connector 0: M8 - connector 3pin special model available on request</p>	<p>cable length (Angabe in [m]) - standard length 1m - special cable length available on request</p>
PART DESIGNATION	<p>Model - <input type="text"/> - <input type="text"/> : <input type="text"/></p>		
ORDER EXAMPLE	<p>RLV3012VR - P - 0 : 1m = RLV3012VR - PUR-cable black - M8, 3pin : cable length 1m</p> <p>Please note, for correct operation, a separate amplifier is required.</p>		