

- ▶ **Universal amplifier for all MICROmote® sensors\***
- ▶ **Adjustable at the touch of a button (Auto-Teach or manual sensitivity setting)**
- ▶ **3 digit numerical display for signal level indication**
- ▶ **External input for self-teach**
- ▶ **Selectable pulse stretching**
- ▶ **Integrated alarm output**
- ▶ **Available in PNP or NPN version**



**SWITCHING AMPLIFIER V10 with Auto-Teach and display**

\*excepting nanoSPOT

▶ **TECHNICAL DATA**

MODEL	V10-A		V10-B		V10-F	
Output	PNP	NPN	PNP	NPN	PNP	NPN
Frequency response	10kHz		500Hz		3kHz	
max. Response time	50µs		1ms		167µs	
Current consumption (average/peak)	50mA / 50mA		45mA / 180mA		45mA / 90mA	
max. Sensing distance*	33%		100%		33%	
Power supply indicator	LED green					
Functional principle	continuous light**		pulsed			
Output status indicator/Signal strength	LED yellow / 3 digit display					
Pulse stretching (Off-Delay)	0 - 250ms (selectable)					
Operating voltage	10...30 VDC (max.), reverse polarity protection					
Output current	200mA, short circuit proof, reverse polarity protection					
Weight	55g					
Housing material	ABS					
Operating temperature	-10°C to +55°C					
Protection class	IP65					
Power supply cable (standard)	2m PVC-cable 5 x 0,14mm <sup>2</sup>					
Optional with plug in supply***	M12, 5pin or M8, 4pin					

\* percentage of max. sensor rating (see individual sensor datasheet)

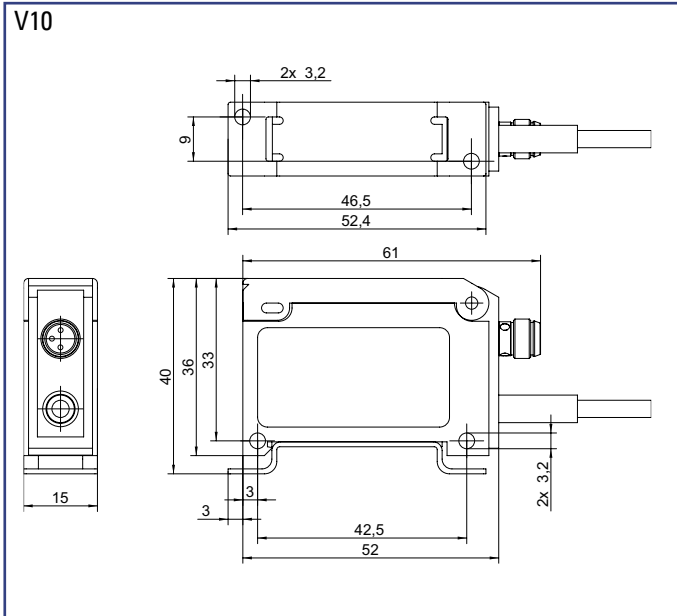
\*\* may be influenced by ambient light

\*\*\* cable to be ordered separately



V10-A | V10-B | V10-F

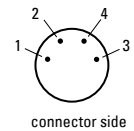
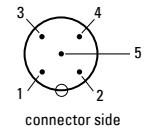
**DIMENSIONS** Measurements in mm. Subject to technical change.



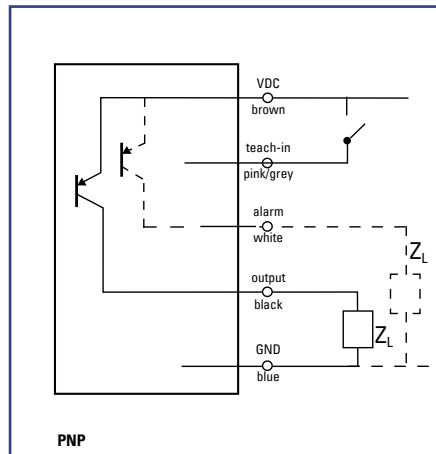
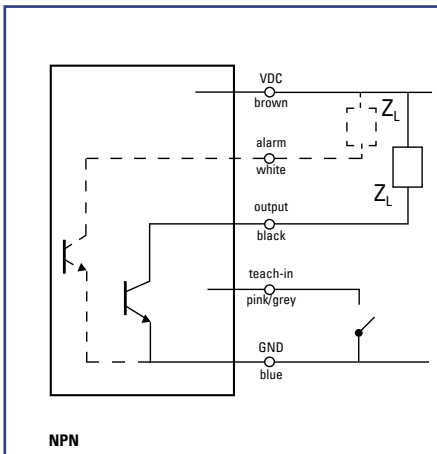
**PIN CONNECTION**

**supply**

- standard -00 :** PVC-cable, 5pin, 2m
  - brown + VDC
  - white alarm output
  - blue - GND
  - black signal output
  - pink teach-in
- option -01:** connector M12, 5pin
  - 1 (brown) + VDC
  - 2 (white) alarm output
  - 3 (blue) - GND
  - 4 (black) signal output
  - 5 (grey) teach-in
- option -02:** connector M8, 4pin
  - 1 (brown) + VDC
  - 2 (white) alarm output
  - 3 (blue) - GND
  - 4 (black) signal output
- option -03:** connector M8, 4pin
  - 1 (brown) + VDC
  - 2 (white) teach-in
  - 3 (blue) - GND
  - 4 (black) signal output



**CONNECTION DIAGRAM**



**PART DESIGNATION**

**Model**   -    

**output**

P : PNP

N : NPN

**sensor connection**

0 : M8, 3pin

special model available on request

**supply\***

0 : PVC-cable, 5pin

1 : M12, 5pin

2 : M8, 4pin

3 : M8, 4pin

**ORDER EXAMPLE**      **V10-B P - 02** = amplifier V10 - 500Hz PNP - sensor M8, 3pin supply M8, 4pin

\*Please do not forget to order the appropriate power supply cable (see accessories).