

- ▶ Universal amplifier for all MICROmote® sensors*
- ▶ 3 digit numerical display for signal level indication
- ▶ Voltage output 0...10V or current output 4...20mA
- ▶ 10bit resolution
- ▶ Optional plug-in power supply

*excepting nanoSPOT

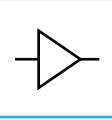


**ANALOG AMPLIFIER V10
with display**

▶ TECHNICAL DATA

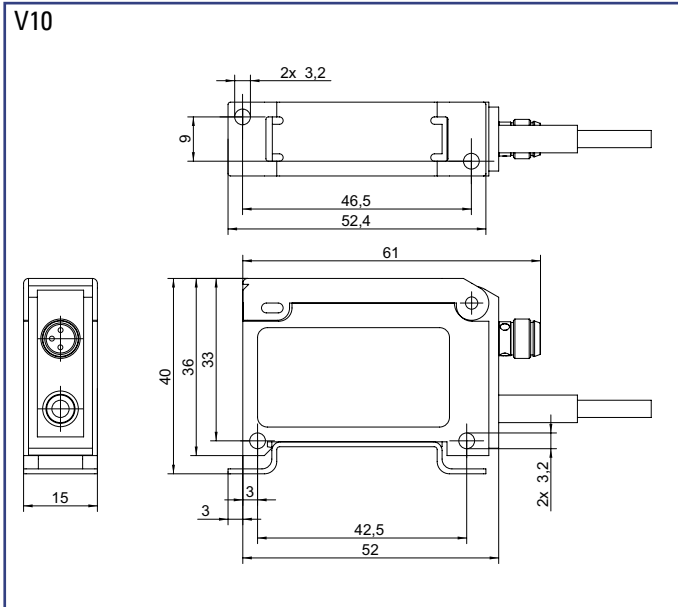
MODEL	V10-C	V10-D
Functional principle	pulsed	
Frequency response	1kHz	
Power supply indicator	LED green	
Function indicator	LED yellow / 3 digit display	
Response time	0,5ms	
Operating voltage	15...30 VDC (max.), reverse polarity protection	
Output signal	voltage output 0 - 10V	current output 4 - 20mA
Current consumption (average/peak)	45mA / 180mA	
Weight	60g	
Housing material	ABS / polycarbonat	
Operating temperature	-10°C to +55°C	
Protection class	IP65	
Power supply cable (standard)	2m PVC-cable 5 x 0,14mm ²	
Optional with plug in supply*	M12, 5pin or M8, 4pin	

* cable to be ordered separately



V10-C | V10-D

► DIMENSIONS Measurements in mm. Subject to technical change.



► PIN CONNECTION

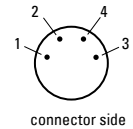
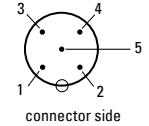
supply

standard -00 : PVC-cable, 5wire, 2m
 brown + VDC
 white analog GND
 blue - GND
 black analog +
 pink remote teach

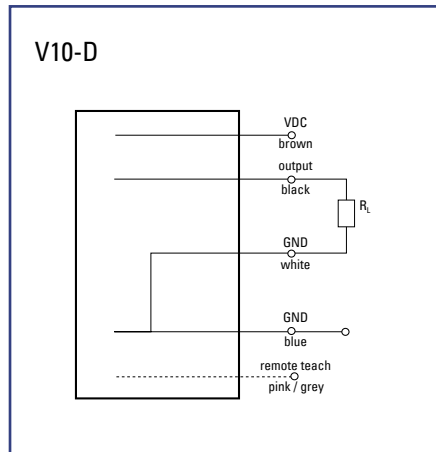
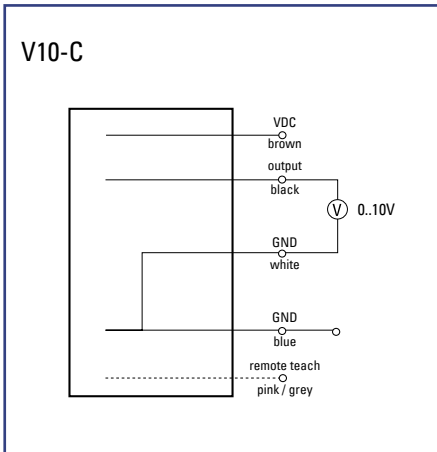
option -01: connector M12, 5pin
 1 (brown) + VDC
 2 (white) analog GND
 3 (blue) - GND
 4 (black) analog +
 5 (grey) remote Teach

option -02: connector M8, 4pin
 1 (brown) + VDC
 2 (white) analog GND
 3 (blue) - GND
 4 (black) analog +

option -03: connector M8, 4pin
 1 (brown) + VDC
 2 (white) remote teach
 3 (blue) - GND
 4 (black) analog +



► CONNECTION DIAGRAM



PART DESIGNATION

Model -

sensor connection

0 : M8, 3pin
 special model available on request

supply*

0 : PVC-cable, 5 wire
1 : M12, 5pin
2 : M8, 4pin
3 : M8, 4pin

ORDER EXAMPLE

V10-C - 02 = amplifier V10 voltage output - sensor M8, 3pin supply M8, 4pin

*Please do not forget to order the appropriate power supply cable (see accessories).