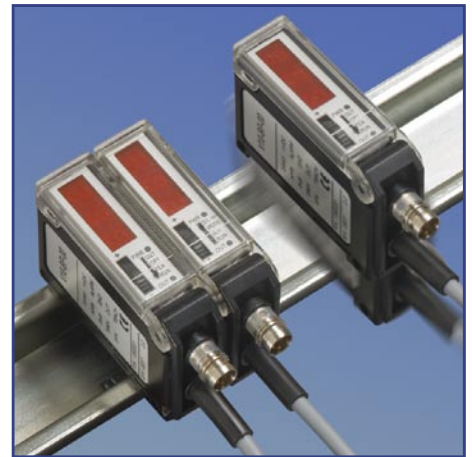


- ▶ **Universal amplifier for all MICROmote® sensors\***
- ▶ **Automatic synchronization of pulse frequencies.  
Eliminates cross-talk in side-by-side mounting constellations**
- ▶ **Adjustable at the touch of a button (Auto-Teach or manual sensitivity setting)**
- ▶ **3 digit numerical display for signal level indication**
- ▶ **External input for self-teach**
- ▶ **Selectable pulse stretching**
- ▶ **Integrated alarm output**



**SWITCHING AMPLIFIER V10  
with Auto-Teach, display and Auto-Sync**

\*excepting nanoSPOT

▶ **TECHNICAL DATA**

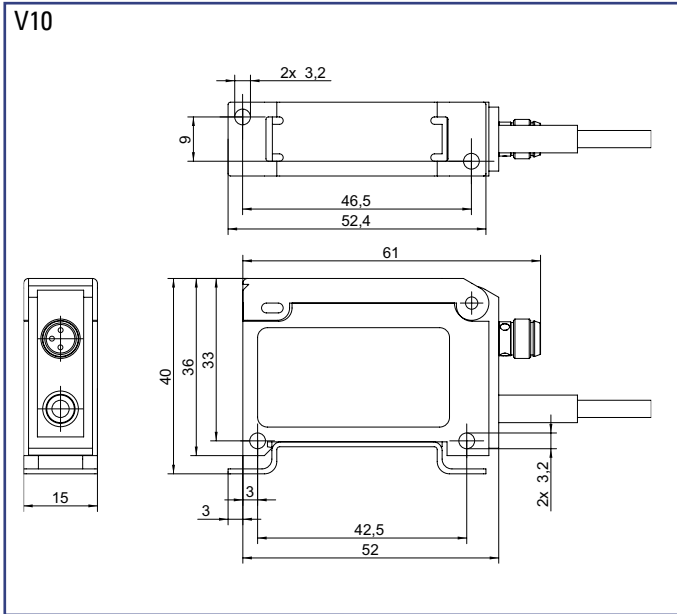
| MODEL                                   | V10-G   |     |
|---|---|-----|
| Output                                  | PNP   | NPN |
| Frequency response                      | 500Hz   |     |
| max. Response time                      | 1ms   |     |
| Current consumption (average/peak)      | 45mA / 180mA  |     |
| Power supply indicator                  | LED green   |     |
| Functional principle                    | pulsed  |     |
| Output status indicator/Signal strength | LED yellow / 3 digit display                            |     |
| Pulse stretching (Off-Delay)            | 0 - 250ms (selectable)                                  |     |
| Operating voltage                       | 10...30 VDC (max.), reverse polarity protection         |     |
| Output current                          | 200mA, short circuit proof, reverse polarity protection |     |
| Weight                                  | 55g   |     |
| Housing material                        | ABS   |     |
| Operating temperature                   | -10°C to +55°C  |     |
| Protection class                        | IP65  |     |
| Power supply cable (standard)           | 2m PVC-cable 5 x 0,14mm <sup>2</sup>                    |     |
| Optional with plug in supply***         | M12, 5pin or M8, 4pin                                   |     |

\*\* cable to be ordered separately



V10-G

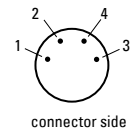
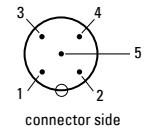
**DIMENSIONS** Measurements in mm. Subject to technical change.



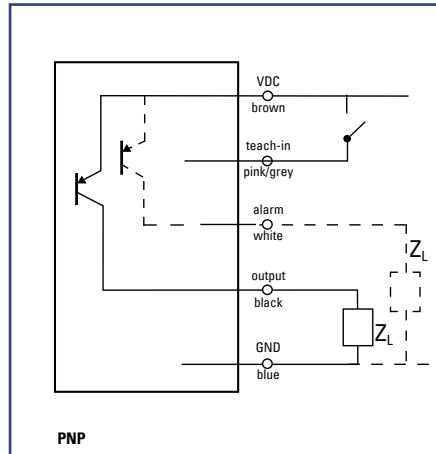
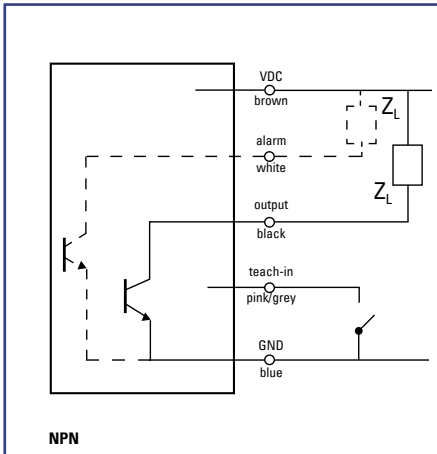
**PIN CONNECTION**

**supply**

- standard -00 :** PVC-cable, 5pin, 2m
  - brown + VDC
  - white alarm output
  - blue - GND
  - black signal output
  - pink teach-in
- option -01:** connector M12, 5pin
  - 1 (brown) + VDC
  - 2 (white) alarm output
  - 3 (blue) - GND
  - 4 (black) signal output
  - 5 (grey) teach-in
- option -02:** connector M8, 4pin
  - 1 (brown) + VDC
  - 2 (white) alarm output
  - 3 (blue) - GND
  - 4 (black) signal output
- option -03:** connector M8, 4pin
  - 1 (brown) + VDC
  - 2 (white) teach-in
  - 3 (blue) - GND
  - 4 (black) signal output



**CONNECTION DIAGRAM**



|                         |   |  |  |
|-------------------------|---|--|--|
| <b>PART DESIGNATION</b> | <b>output</b>   | <b>sensor connection</b>                           | <b>supply*</b>   |
|                         | P : PNP<br>N : NPN  | 0 : M8, 3pin<br>special model available on request | 0 : PVC-cable, 5pin<br>1 : M12, 5pin<br>2 : M8, 4pin<br>3 : M8, 4pin |
| <b>ORDER EXAMPLE</b>    | <b>Model</b> <input type="checkbox"/> - <input type="checkbox"/> <input type="checkbox"/> = amplifier V10 - Auto-Sync 500Hz PNP - sensor M8, 3pin supply M8, 4pin<br>*Please do not forget to order the appropriate power supply cable (see accessories). |  |  |