

- ▶ Universal amplifier for all MICROmote sensors\*
- ▶ Standard resolution or high resolution selectable
- ▶ Sensitivity setting via 3-channel potentiometer without stop
- ▶ Selectable pulse stretching 50ms (switchable)
- ▶ Light/dark switching
- ▶ PNP or NPN in the same device



**SWITCHING AMPLIFIER V91  
with potentiometer**

\*excepting nanoSPOT

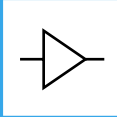
▶ TECHNICAL DATA

| MODEL                                   | V91-A   | V91-B      | V91-F      |
|---|---|------------|------------|
| Output                                  | PNP and NPN   |            |            |
| Functional principle                    | continuous light*                                       | pulsed     |            |
| max. Response time                      | 70µs  | 1,1ms      | 200µs      |
| Current consumption (average/peak)      | 40mA/45mA   | 40mA/200mA | 40mA/120mA |
| max. Sensing distance**                 | 50%   | 100%       | 50%        |
| Frequency response                      | 10kHz   | 500Hz      | 3kHz       |
| Power supply indicator/Signal stability | LED green   |            |            |
| Output status indicator/Signal strength | LED yellow  |            |            |
| Pulse stretching                        | 0 / 50ms - Off-Delay   50ms On-Delay (selectable)       |            |            |
| Operating voltage                       | 10...30 VDC (max.) reverse polarity protection          |            |            |
| Output current                          | 100mA, short circuit proof, reverse polarity protection |            |            |
| Weight                                  | 55g   |            |            |
| Housing material                        | ABS   |            |            |
| Operating temperature                   | -10°C to +55°C  |            |            |
| Protection class                        | IP65  |            |            |
| Power supply cable (standard)           | 2m PVC-cable 4 x 0,14mm <sup>2</sup>                    |            |            |
| Optional with plug in supply***         | M8, 4pin  |            |            |

\* percentage of max. sensor rating (see individual sensor datasheet)

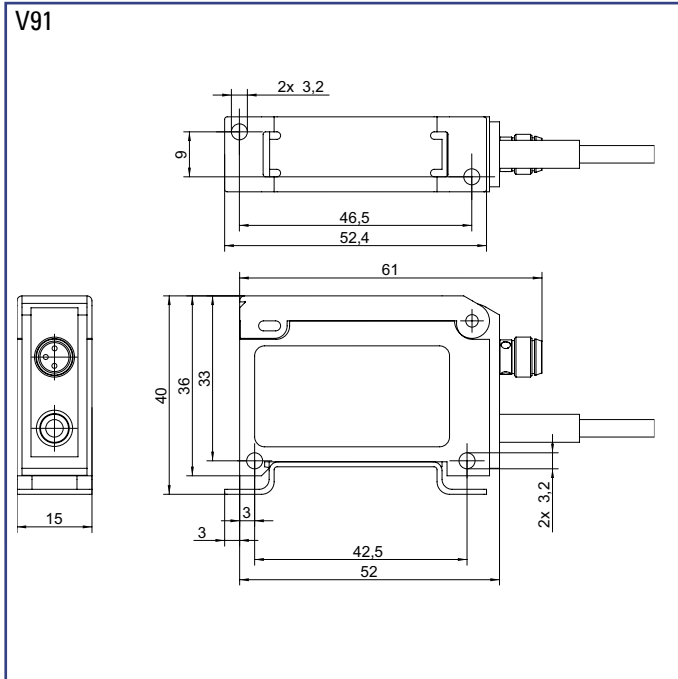
\*\* may be influenced by ambient light

\*\*\* cable to be ordered separately



V91-A | V91-B | V91-F

► DIMENSIONS Measurements in mm. Subject to technical change.

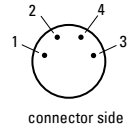


► PIN CONNECTION

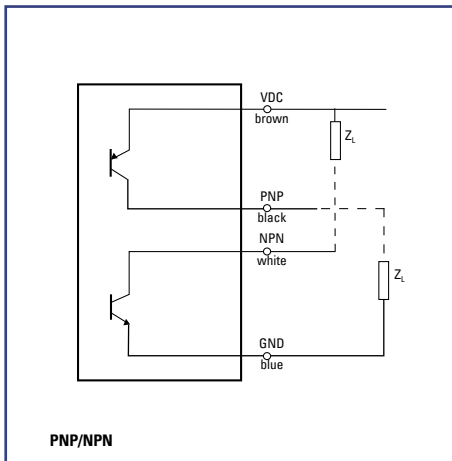
supply

**standard -00 :** PVC-cable, 4pin, 2m  
 brown + VDC  
 white NPN-signal output  
 blue - GND  
 black PNP signal output

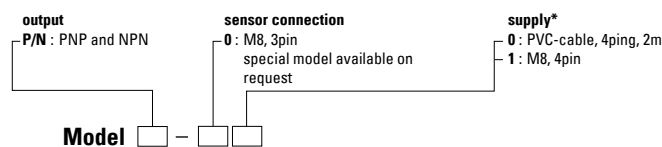
**option -01:** connector M8, 4pin  
 1 (brown) + VDC  
 2 (white) NPN-signal output  
 3 (blue) - GND  
 4 (black) PNP-signal output



► CONNECTION DIAGRAM



PART DESIGNATION



ORDER EXAMPLE

V91-A P/N - 0 1 = amplifier V91-10kHz PNP and NPN - sensor M8, 3pin supply M8, 4pin

\* Please do not forget to order the appropriate power supply cable (see accessories).